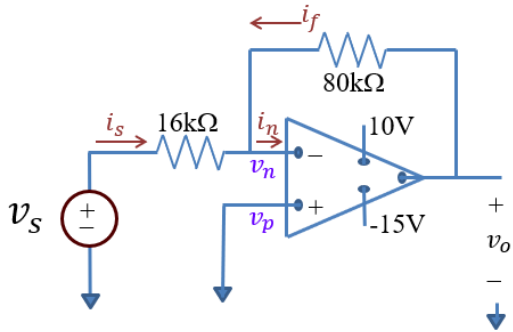
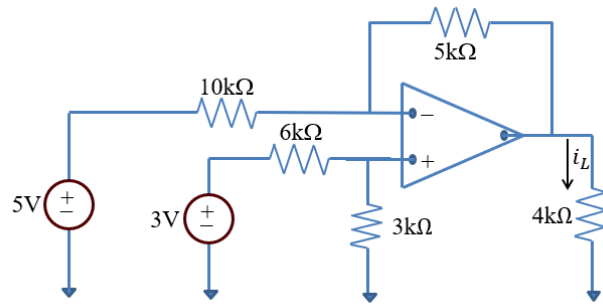


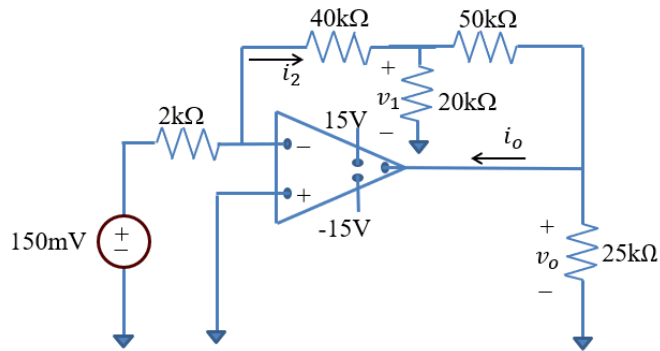
Example 1



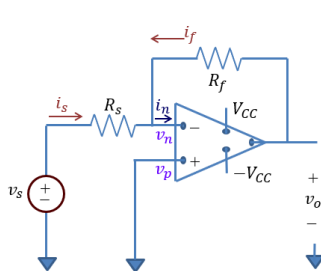
Example 2



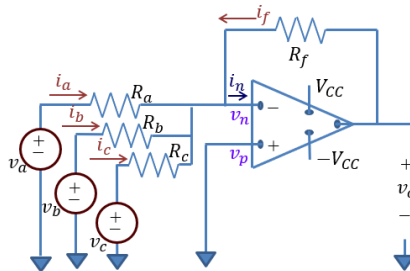
Example 3



Inverting amplifier



Summing Amplifier



Difference amplifier

