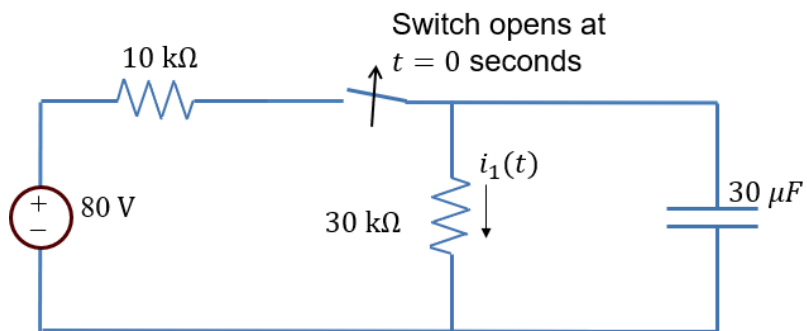


Steps for solving first-order transient problems

- 1) Write the differential equations using KVL or KCL
- 2) Analyze the steady-state circuit to find initial conditions
- 3) Solve the differential equations

Example 1: Find $i_1(t)$.



Example 2: Find $i(t)$.

